

**FREE** DOM BathTubs



## *The Sonoma Spa*

Enjoy bathing  
independently in your  
own personal spa

Model APF6032WI

60" x 32" x 39 1/4"

- This stylish personal spa is one of the industries deepest walk-in tubs, with an extra generous seat for bathing comfort.
- The Freedom Sonoma Spa is designed to conveniently fill the space used by the standard tub found in most homes.
- The Sonoma Spa features a non slip tub floor and a wide water-tight door for added comfort and safety.
- Luxurious and easy to clean gelcoat fibreglass design available in white, bone and many other colors.
- Options available:
  - Deep Massage Hydrotherapy Jets
  - Gentle Massage Air Jets
  - Combination Hydrotherapy and Air Jets
  - Inline Water Heater
  - Handheld Shower

Made in America

page 1 of 2

# FREE OM Bathtubs

## Submittal Data Freedom Sonoma Spa Model APF6032WI

### Product Features:

- 60" x 32" x 39 1/4" outside dimensions
- Wide, water-tight, door
- Extra generous seat
- Non-slip tub floor
- Luxurious, easy to clean, gelcoat surface
- Estimated drain time of 2 minutes

### Optional Features:

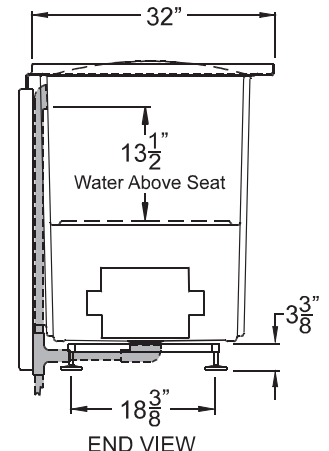
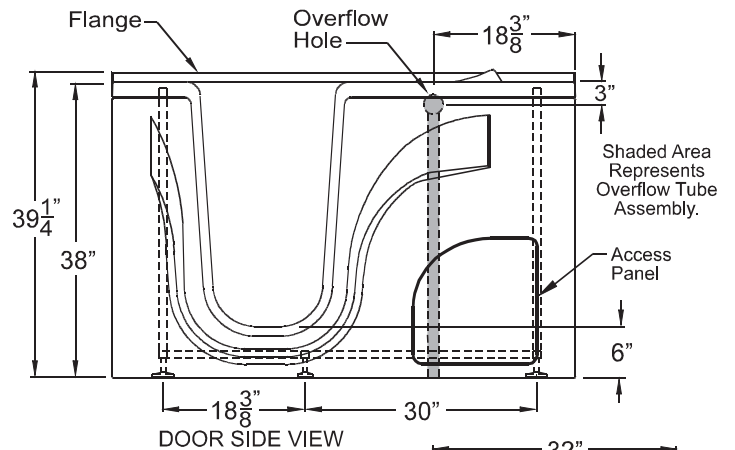
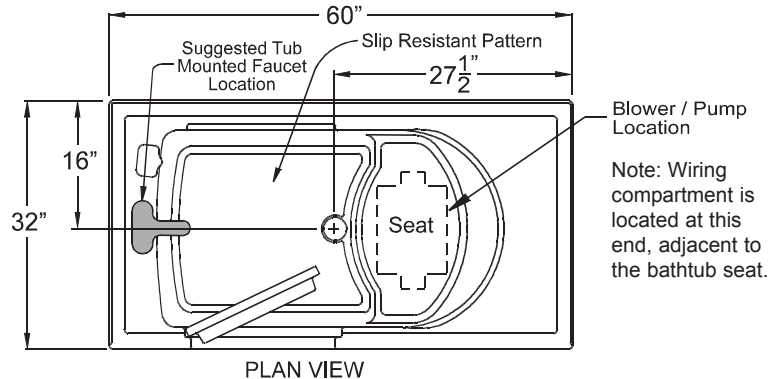
- Deep Massage Hydrotherapy Jets (6)
- Gentle Massage Air Jets (24)
- Combination Hydrotherapy and Air Jets (6+24)
- Inline Water Heater (1500 watts)
- Handheld Shower
- End cover panel

### Code Compliance:

- UPC Uniform Plumbing Code
- ANSI Z124 Standards

### Detailed Product Information:

- Inside dimensions:
- Foot Well 23 1/2" x 23 1/2"
- At Top: 42 1/2" x 25 1/2"
- 95 US gallons to overflow, 70 US gallons to operating level
- 120V, 60 Hz, 15 Amps, Dedicated GFCI for water jets, air jets and inline heater.
- Seat dimensions are 24" wide x 14" deep, 16" top to bottom.
- Due to the nature of the materials dimensions may vary +/- 1/2".
- Door Opening Dimensions: 17 1/2" wide at top, 14 3/8" wide at bottom, 32 3/4" tall
- Self levelling base
- Handed by door hinge
- 5 year limited warranty on gelcoat tubs,  
1 year on pumps and accessories



Made in America.

page 2 of 2